

Piston Crete®

PY75B-19B



Main Features

- The pump is capable of up to 75 m³/h
- Folding boom with a maximum height of 19 m³
- Hydraulic extension beam
- Long elbow with wear detectors
- Special low power digital radio controller comes standard
- Simple one-touch switch between high and low pressure modes
- Equipped with high-pressure water pump which can be used during pressurized feeding
- Automatic lubrication system allows regular lubrication to be carried out
- Extendable rear outrigger stabilizes the vehicle during operation

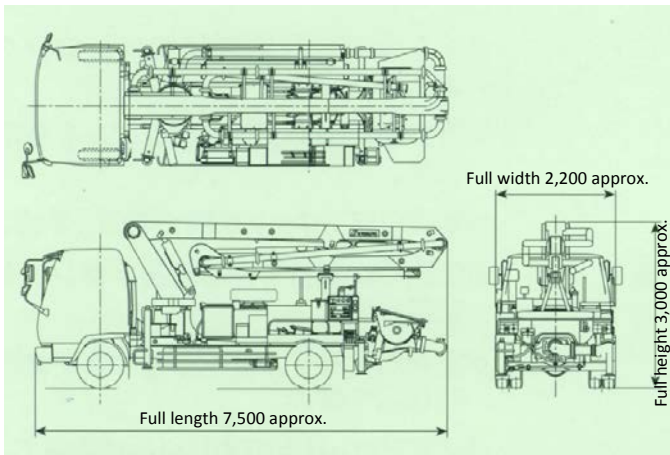


The photos includes optional specifications.
Special colors and modified photos may be used.

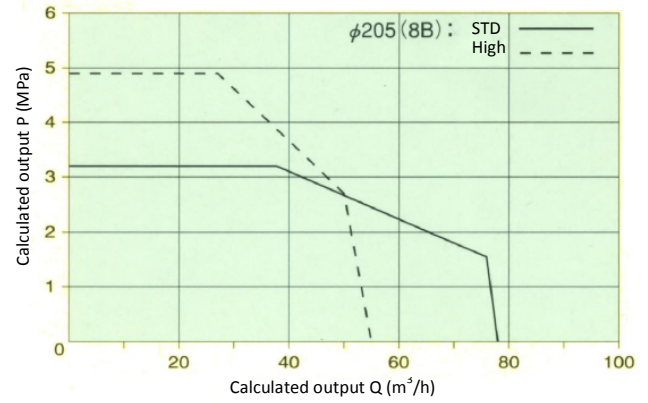
• Specifications

Model		PH75-19B	
Specifications		8B Spec.	
Capacity	Max Output (Output level x Pump power)	High speed pumping	78 m ³ /hx 3.2 MPa
		Low speed pumping	55 m ³ /hx 4.9 MPa
	System to remove remaining concrete		
	Water flush		
Pump Unit	Transfer piping radius		
	125 A		
	Maximum aggregate coarse size		
	40 mm		
	No. of concrete cylinders		
2			
Cleaning	Cylinder bore x stroke		
	ø205 x 1150 mm		
	Hopper		
	Volume capacity		
0.35 m ³			
Height from ground			
1.17 m approx.			
Water tank capacity			
485L			
Boom	Type		
	Double acting piston		
	Max output		
	25 m ³ /h		
	Max pressure		
4.9 MPa			
Max output			
40 L/min			
Max pressure			
4.9 MPa			
Other spec's	Boom Model		
	Fully hydraulic 3 stage folding boom with sliding type on tip		
	Max length		
	15.6m		
	Max height from ground		
	18.6m		
	Swing angle		
	360 deg (Full rotate)		
	Operating method		
	Electromagnetic (Manual / Remote control)		
Outrigger	Concrete transfer piping radius		
	100 A		
	Model		
	Manual ext / Jack hydraulic type		
	Front extension span		
4.7 m (Max)			
Rear extension span			
3.1 m (Max)			
Jack power			
Front			
78.9 kN (8t)			
Rear			
78.9 kN (8t)			
Operation system			
Concentrated op. via control panel			
Chassis required			
5.5 t load class			
Vehicle full length			
7,500 mm approx.			
Vehicle full width			
2,200 mm approx.			
Vehicle full height			
3,000 mm approx.			
Vehicle weight			
9,000 kg approx.			
Passenger no.			
3			
Vehicle total weight			
9,165 kg approx.			

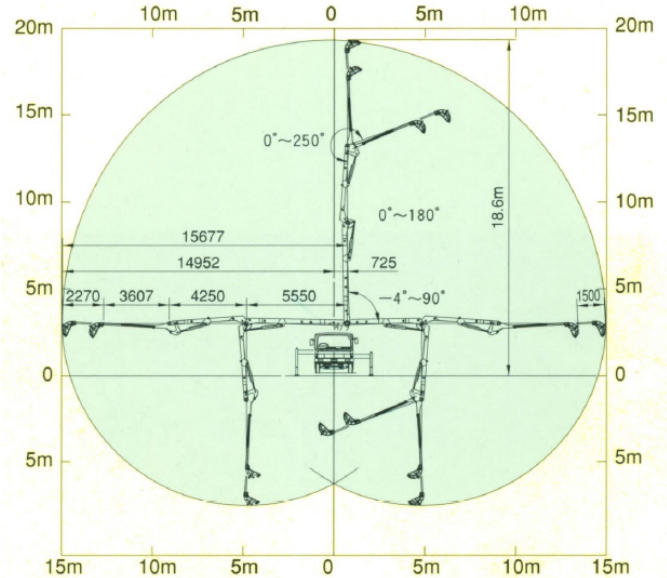
• Outer Dimensions



• Pumping Capability



• Boom Operating Range



• Set up dimensions / Traveling dimensions

